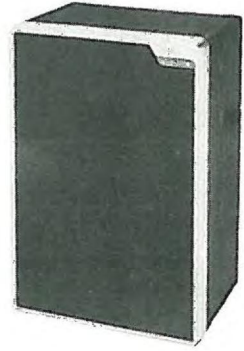


Service  
Service  
Service

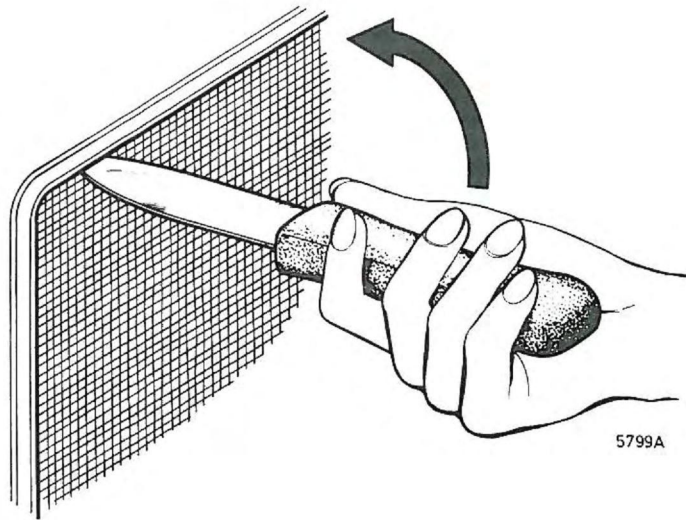


22 Litres  
480x320x225 mm

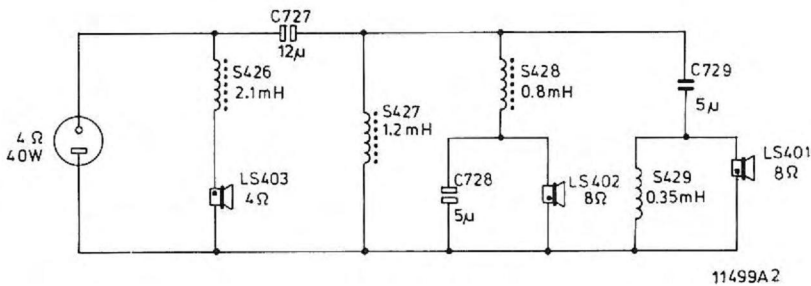
11622A12

# Service Manual

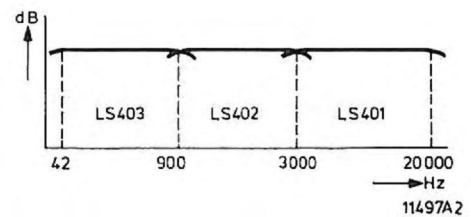
TO OPEN L.S.-BOX



5799A



11499A2



11497A2

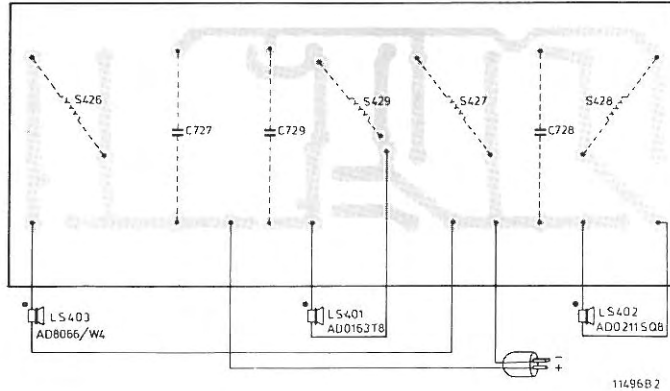


**S**

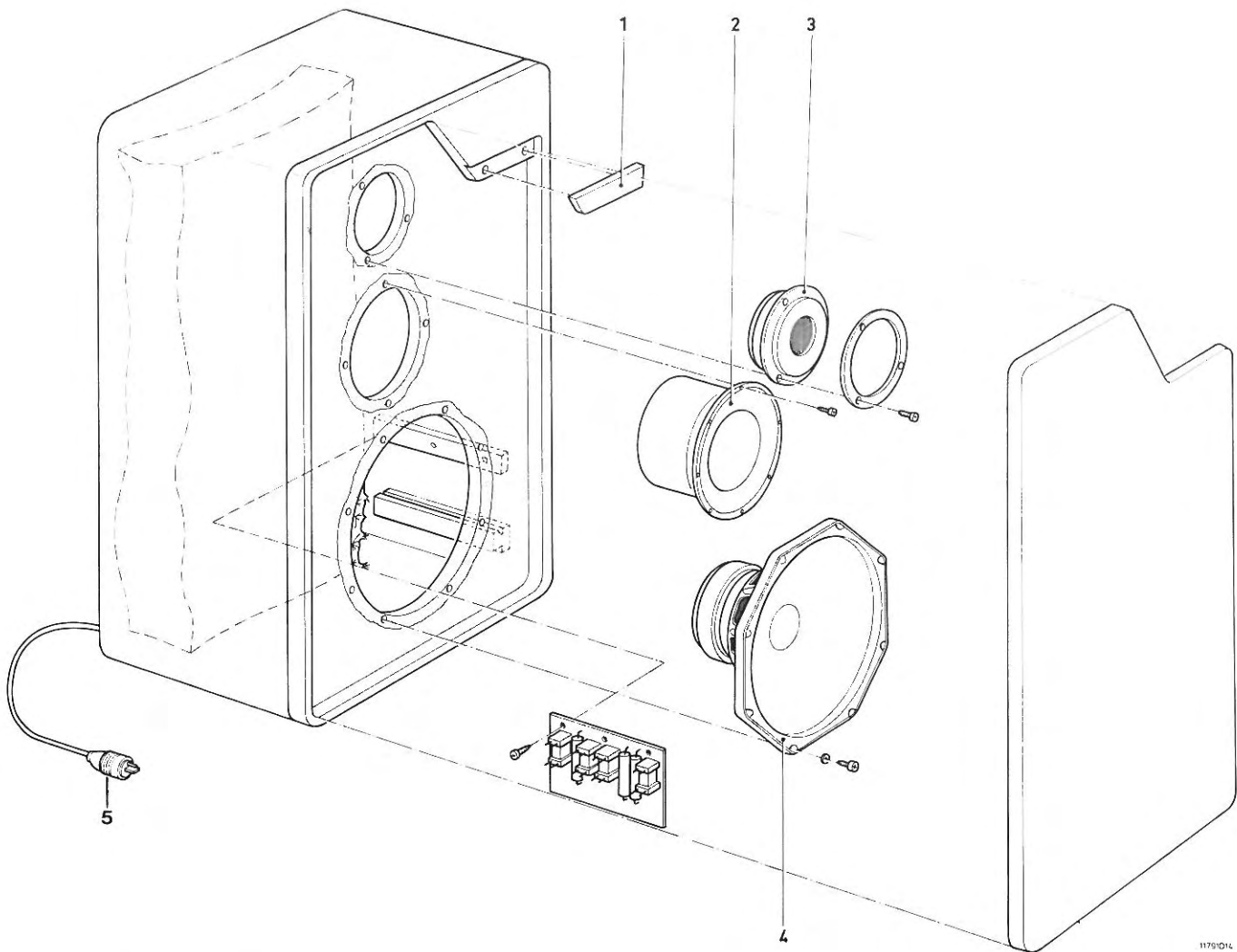
S426	2,1 mH	4822 152 10084
S427	1,2 mH	4822 152 10083
S428	0,8 mH	4822 157 50816
S429	0,35 mH	4822 158 10393

**C**

C727	Elco 12 $\mu$ F	4822 124 40145
C728-729	Elco 5 $\mu$ F	4822 124 40147



11496B 2



1176/D14

1		4822 454 10546
2	LS402	4822 240 70016
3	LS401	4822 240 70018
4	LS403	4822 240 60081
5		4822 264 30041